

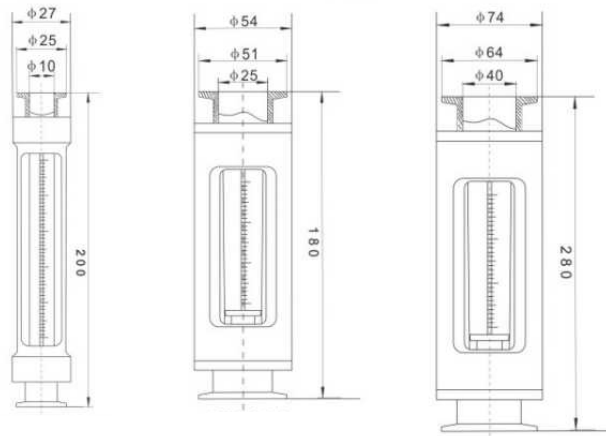
Product overview

Glass rotameter, mainly by conical glass tube, float, upper and lower outer nut and stainless steel connection combination, easy to install, used in water, juice, milk, pure water treatment and other fields, the upper and lower connection can be varied, thread or health clamp connection.

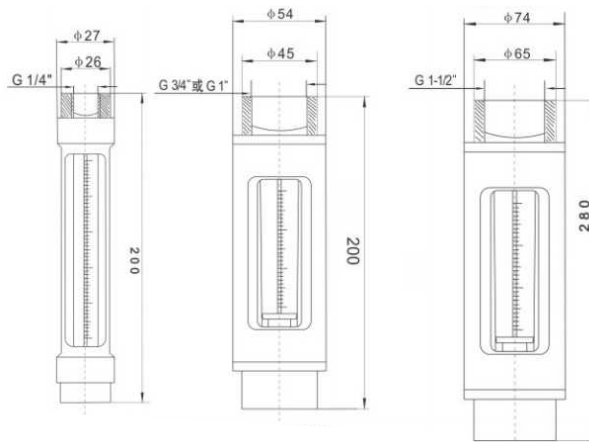


Ferrule Type

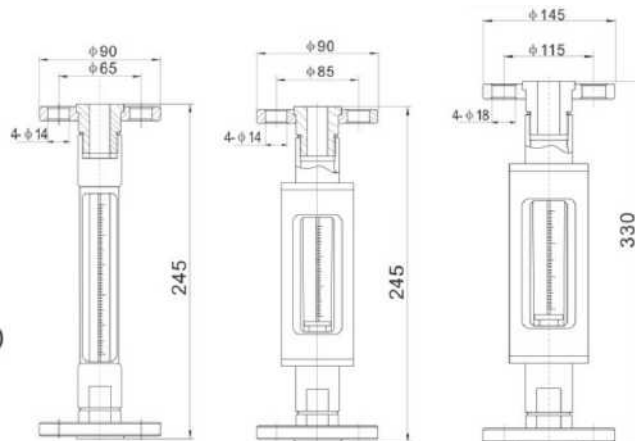
Size chart (mm)



thread type



Chuck type



## Technical parameters

Measuring range				Internal thread	weight ( kg )
code	liquid	code	gas		304/306
L1	2.5~25L/h	A1	40~400L/h	G1/4	0.25
L2	4~40L/h	A2	60~600L/h		
L3	6~60L/h	A3	100~1000L/h		
L4	10~100L/h	A4	160~1600L/h		
L5	16~160L/h	A5	0.25~2.5m <sup>3</sup> /h		
		A6	0.5~5m <sup>3</sup> /h		
L6	0.3~5L/min	A7	40~400L/min	G3/4	2.5
L7	1~10L/min	A8	60~600L/min		
L8	2~20L/min	A9	90~900L/min		
L9	3~30L/min	A10	120~1200L/min		
L10	4~40L/min				
L11	5~50L/min	A11	150~1500L/min	G1	2.5
L12	12~60L/min	A12	400~1800L/min		
L13	20~100L/min	A13	600~3000L/min		
L14	0.6~6m <sup>3</sup> /h	A14	30~300m <sup>3</sup> /h	G1'1/2	5.0
L15	1~10m <sup>3</sup> /h				
L16	1.6~16m <sup>3</sup> /h	A15	48~480m <sup>3</sup> /h		
L17	5~25m <sup>3</sup> /h				

## Selection table

FM 910 -	10	G	A	- -	S1	detailed
FM 910						FM 910 Glass rotor sanitary flow meter
	10					Installing calibre: DN10 ( mm )
	20					Installing calibre: DN20 ( mm )
	25					Installing calibre: DN25 ( mm )
	40					Installing calibre: DN40 ( mm )
		G				screw thread
		K				clamp
		F				flange
			A			Medium: Gas
			L			Medium: Liquid
				L1		See technical parameters table
					S1	material: 304SS
					S2	material: 316SS

Can be customized according to customer requirements