



principle structure

The high performance diffused silicon piezoresistive pressure sensor is used as the measuring element in the hydrostatic pressure connecting rod type liquid level transmitter, which is proportional to the liquid level depth. Make sure it is measured and converted into a standard (current or voltage) signal output, set up a linear pair between the output signal and the liquid depth. Should relation, realizes to the liquid depth measurement. High precision and small volume, The liquid from the end of the transmitter to the surface can be measured by putting it directly into the liquid Height, easy to use.

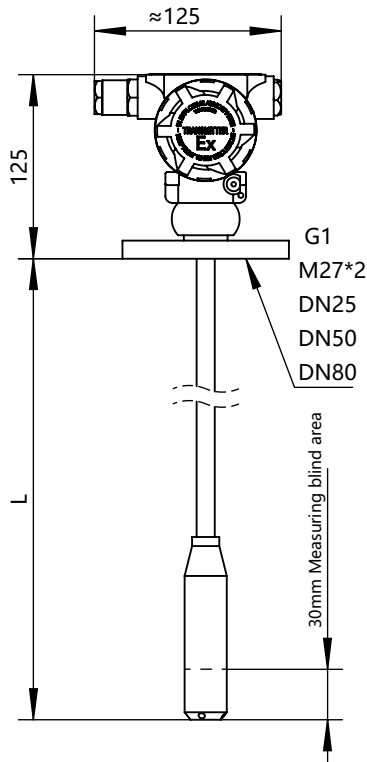
product application

It is suitable for liquid level measurement and control in the fields of petroleum, chemical industry, power plant, urban water supply and hydrologic

Product features

- high-performance diffusion silicon piezoresistive sensor
- probe input measurement method, easy to install
- multiple protection structure design, high protection capability
- various styles, suitable for various industrial occasions
- selection of anticorrosive stainless steel material, suitable for a variety of occasions

Size chart (mm)



Technical parameters

range: 0-0.5m... 200 m water column

pressure types: table pressure, absolute pressure

power supply: 24VDC, 12VDC

output signals: 4-20mA, 1-5V, 0-5V

compensation temperature: -10-70

operating temperature: -40-85

Storage temperature: -40-125

Zero temperature drift: $\pm 2\%$ FS

sensitivity temperature drift: $\pm 2\%$ FS

overload pressure: 150%FS

mechanical vibration: 20g (20-5000hz)

impact: 100g (11ms)

comprehensive precision: 0.1, 0.3, 0.5 level optional

long-term stability: $\pm 0.2\%$ FS/ year

response time: 1ms (up to 90%FS)

Cardiac insulation: 100 m / 250 VDC

material: low copper aluminum alloy junction box;

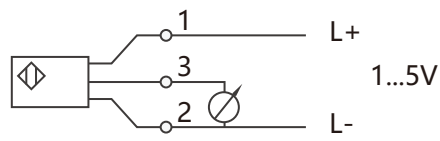
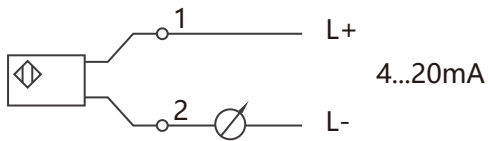
The liquid level probe is all stainless steel cable made of polyurethane conductor

media compatibility: all media compatible with 304 stainless steel,

Special media can be customized material

protection level: IP65

wiring diagram



Selection table

LM120-	0500	A	G1M	G	S	0	detailed
LM120							LM120 hydrostatic connecting rod type liquid level transmitter
	0500						Pressure range: 500mmH2O
	1						Pressure range: 1mH2O
	2						Pressure range: 2mH2O
	3						Pressure range: 3mH2O
	5						Pressure range: 5mH2O
	30						Pressure range: 30mH2O
	60						Pressure range: 60mH2O
	100						Pressure range: 100mH2O
	200						Pressure range: 200mH2O
		A					4-20mA
		V05					0-5V
		V15					1-5V
		V010					0-10V
		V110					1-10V
			G1M				Mounting thread: G1 external thread
			M27M				Mounting thread: M27*2 external thread
			F25				Flange connection: DN25
			F50				Flange connection: DN50
			F80				Flange connection: DN80
				G			Electrical connection: Electric Gran Head (PG13.5)
				M20K			Electrical connection: M20*1.5 internal thread
				G12K			Electrical connection: G1/2 internal thread
				N12K			Electrical connection: NPT1/2 internal thread
					E		explosion-proof
					S		No explosion-proof
						0	No display
						1	With digital LIQUID crystal display